

Universellt Panelinstrument PM1430

www.processcenter.se

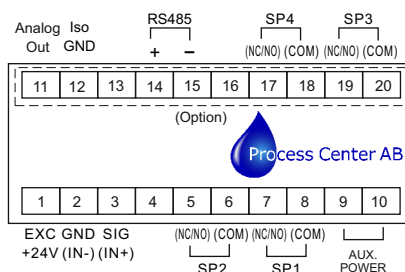
4-siffrig display



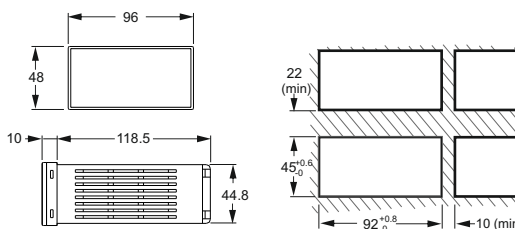
FEATURES:

- 4 Digits LED Numeric Display
- Wide Range of User Definable Scaling Ratio
- Modulized input signal boards available for different applications
- Optional Output Boards with Isolated Analog Output & Relay Output
- 85V~265VAC or 18~36VDC Switching Power Supply
- Support volume adjustment function for non-linear tanks (optional)
- IP65 Class front panel

TERMINAL ARRANGEMENTS:



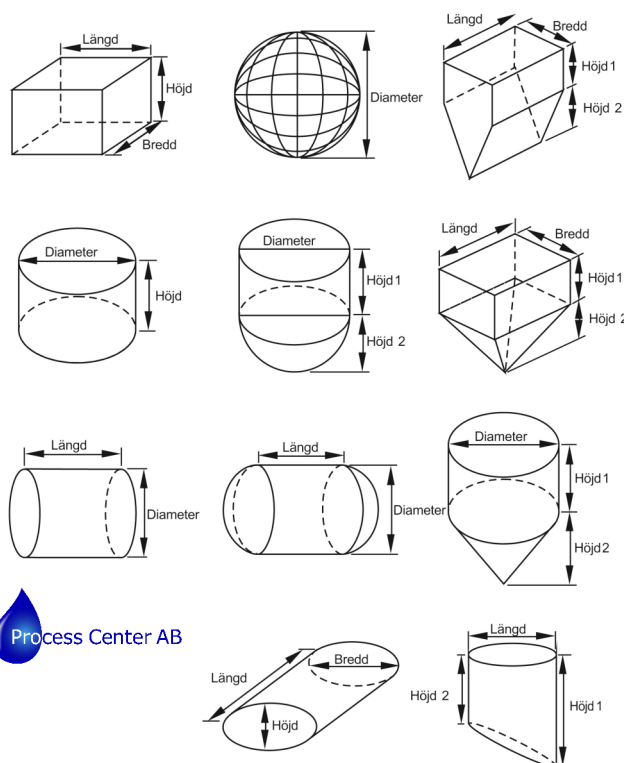
EXTERIOR/CUTOUT DIMENSIONS



SPECIFICATIONS

Dimension (mm)	96 (W) x48 (H) x128.5 (D) DIN 1/8
Model	PM-1430
Power Supply	85 ~ 265V AC or 18~36V DC Switching Power Supply
Power Supply for sensor	DC24V, 50mA
Display	4 Digits, 0.56" 7-Segment red LED Display 4 LED set-point indicator Display Range: -1999 ~ +9999 Over Range Display: "1" or "-1"
Input Signal	Range: Refer to Ordering information Accuracy: 0.1%FS or 1/10 digit ADC Resolution: 4-1/2 digit Sampling Rate: 4 samples/second
Relay Contact	2 or 4 relay 3A/250V AC or 5A/30V DC (N.C. / N.O. Jumper selectable)
Analog Output	4~20mA, 0~20mA, 2~10V and 0~10V (optional)
Power consumption	Less than 7VA
Communication port	RS485 (optional) Modbus Protocol
Operating condition	0~50°C(20 to 90% RH non-condensed)
Storage condition	0~70°C(20 to 90% RH non-condensed)

Option Linjärisering av olinjära behållare



Universellt Panelinstrument PM1530

www.processcenter.se

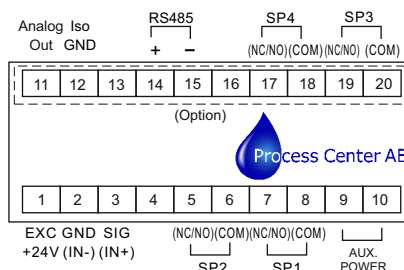
5-siffrig display



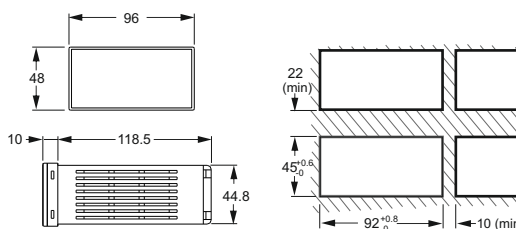
FEATURES:

- 5 Digits LED Numeric Display
- Wide Range of User Definable Scaling Ratio
- Modulized input signal boards available for different applications
- Optional Output Boards with Isolated Analog Output & Relay Output
- 85V~265VAC or 18~36VDC Switching Power Supply
- Support volume adjustment function for non-linear tanks (optional)
- IP65 Class front panel

TERMINAL ARRANGEMENTS:



EXTERIOR/CUTOUT DIMENSIONS



SPECIFICATIONS	
Dimension (mm)	96 (W) x 48 (H) x 128.5 (D) DIN 1/8
Model	PM-1530
Power Supply	85 ~ 265V AC or 18~36V DC
Power Supply for sensor	DC24V, 50mA
Display	5 Digits, 0.56" 7-Segment red LED Display 4 LED set-point indicator Display Range: -19999 ~ +99999 Over Range Display: "1" or "-1"
Input Signal	Range: Refer to Ordering information Accuracy: 0.1%FS or 1 digit ADC Resolution: 4-1/2 digit Sampling Rate: 24 samples/second/channel
Relay Contact	2 or 4 relay 3A/250V AC or 5A/30V DC (N.C. / N.O. Jumper selectable)
Analog Output	4~20mA, 0~20mA, 2~10V and 0~10V (optional)
Power consumption	Less then 7VA
Communication port	RS485 (optional) Modbus Protocol
Operating condition	0~50°C(20 to 90% RH non-condensed)
Storage condition	0~70°C(20 to 90% RH non-condensed)

Option Linjärisering av olinjära behållare

