



Panelinstrument PB-1471

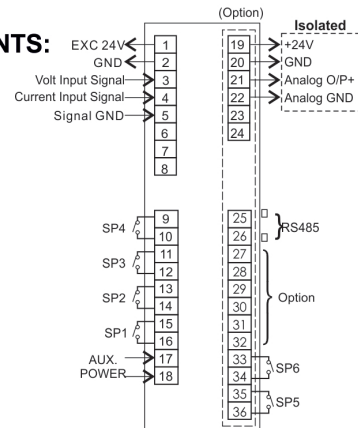
www.processcenter.se



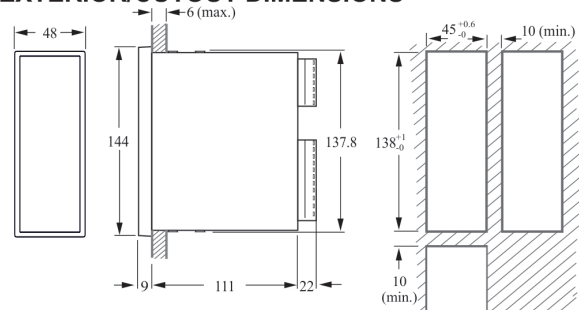
FEATURES:

- 4 Digits LED Numeric Display
- 101-segment LED Bargraph display
- Wide Range of User Definable Scaling Ratio
- Modulized input signal boards available for different applications
- Optional Output Boards with Isolated Analog Output & Relay Output
- 85V~265VAC or 18~36VDC Switching Power Supply
- Support volume adjustment function for non-linear tanks (optional)

TERMINAL ARRANGEMENTS:



EXTERIOR/CUTOUT DIMENSIONS



SPECIFICATIONS

Dimension (mm)	48 (W) x144 (H) x121.5 (D) DIN 3/16
Model	PB-1471
Power Supply	85 ~ 265V AC or 18~36V DC Switching Power Supply
Power Supply for sensor	DC24V, 50mA
Display	4 Digits, 0.36" 7-Segment red LED Display 101 LED Bargraph Display 6 LED set-point indicator Display Range: -1999 ~ +9999 Over Range Display: "1" or "-1"
Input Signal	Range: Refer to Ordering information Accuracy: 0.1%FS or 01 digit ADC Resolution: 4-1/2 digit Sampling Rate: 4 samples/second
Relay Contact	4 relay (up to 6 relay) 3A/250V AC or 5A/30V DC (N.C. / N.O. Jumper selectable)
Analog Output	4~20mA, 0~20mA, 2~10V and 0~10V (optional)
Power consumption	Less then 9VA
Communication port	RS485 (optional) Modbus Protocol
Operating condition	0~50% (20 to 90% RH non-condensed)
Storage condition	0~70% (20 to 90% RH non-condensed)

ORDERING INFORMATION:

PB-1471-□ □□-□ □ □ □

Power Supply	S---85~265V AC T---18~36V DC	▲					
Input Signal	01---4~20mA DC with Exc 24V 02---0~20 mA DC with Exc 24V 03---0~200 mA DC with Exc 24V 04---5V DC with Exc 24V 05---10V DC with Exc 24V 06---20V DC with Exc 24V 07---200V DC with Exc 24V A1---2mA AC RMS A2---20mA AC RMS A3---200mA AC RMS A4---1A AC RMS A5---5A AC RMS B1---100mV AC RMS B2---200mV AC RMS B3---2V AC RMS B4---20V AC RMS B5---200V AC RMS B6---600V AC RMS C1---02 mA DC with Exc 24V C2---020 mA DC with Exc 24V C3---0200 mA DC with Exc 24V C4---01Amp DC C5---05Amp DC D1---020mV DC with Exc 24V D2---050mV DC with Exc 24V D3---0100mV DC with Exc 24V D4---0200mV DC with Exc 24V	▲					
Relay Contact	0---0 Relays 2---2 Relays 4---4 Relays 6---6 Relays	▲					
Non-Linear Function	0---Without (Standard) 1---Support 20 points Vessel Conversion	▲					
Analog Output	0---Without 1---0~10V Analog Output 2---0/4~20mA Analog Output	▲					
Communication port	0---Without 1---Support RS485 interface	▲					

EX: PB-1471-S01-4101

Represents: PB-1471 Model, Power supply 85~265V AC, Analog input signal 4~20mA, 4 relay contact, Support Non-Linear Function, without Analog output, Support RS485 interface.