


Hygienisk Tryckgivare SMP858-TSF-PlugIn

www.processcenter.se


Product introduction

Description



vertical installation

horizontal installation



Hygienic pressure transmitter

Hygienic pressure transmitter, designed for food and pharmaceutical industry, is suitable for CIP/SIP cleaning and sterilization. Smart compact design, the welded process diaphragm medium parts is made of high quality stainless steel 316L, roughness \leq 0.4 μ m, filling fluid with hygiene standard variety of international standard process connections are available.

Main parameters

Pressure types	Gauge pressure
Measuring range	3kPa-30kPa, please refer to the ordering information chapter
Output signal	4-20mA, 4-20mA+HART, customer
Reference accuracy	\pm 0.2% URL, \pm 0.5% URL

Measuring medium

Viscous, paste-like, adhesive, crystallising, particulatescontaining and contaminated media

Field of application

Pressure, level

Approvals





Hygienisk Tryckgivare SMP858-TSF-PlugIn

www.processcenter.se

Technical specifications

Measuring range and limit

Nominal value	Smallest calibratable span	Lower range limit (LRL)	Upper range limit (URL)	Overload limit*
6kPa	3kPa	0kPa	6kPa	12kPa
40kPa	6kPa	0kPa	40kPa	60kPa

The unit of the measuring range above can be converted into kg/cm², MPa and kPa. Provide other measuring range according to requirements. Adjust requirements: lower range value (LRV) and upper range value (URV) can be adjusted within the scope of the upper and lower range limit, minimum measuring range ≤ |URV - LRV| ≤ maximum measuring range.

*Limit value of overpressure: depends on the pressure value of the parts with lowest pressure capacity

Standard specifications and reference conditions

Test standard: GB/T28474 / IEC60770; Zero based-calibration span, Linear output, Silicon oil filling, 316L stainless steel isolated diaphragm.4-20mA analog output

Power supply effects

Zero and span change should not be more than ± 0.005% URL/V

Performance specifications

The overall performance including but not limited to **【Reference accuracy】**, **【Environment temperature effects】**, **【Static pressure effects】** and other comprehensive error

Typical accuracy: ±0.2% URL

Stability: ±0.2% URL/year

Loading effects

Zero and span change should not be more than ± 0.05% URL/kΩ

Vibration effects

According to IEC61298-3/GB/T 18271.3, 20g (5-2000ZH) maximum vibration: 3mm

Reference accuracy

Including linearity, hysteresis and repeatability. calibration temperature: 20°C ± 5°C

Linear output accuracy	Typical	±0.2% URL	Nominal value: 6kPa, 40kPa
	Max value	±0.5% URL	

The accuracy of square root output is 1.5 times of above linear reference output accuracy.

Output signal

Signal	Type	Output
4-20mA	Linearity	Two wire
4-20mA+HART	Linearity	Two wire

Ambient temperature effects(Typical)

Within the range - 20-80°C total impact ±0.2% URL/10K

Hygienisk Tryckgivare SMP858-TSF-PlugIn

www.processcenter.se

Technical specifications

Damping time

Total damping time constant: equal to the sum of damping time of amplifier and sensor capsule
Damping time of amplifier : 0-100S adjustable
Diaphragm capsule (isolated diaphragm and silicon oil filling) damping time: $\leq 0.2S$
Startup after power off : $\leq 6S$
Normal services after data recovery : $\leq 31S$

Weight

Net weight: about 1.36kg (Tri-clamp process connection, without mounting brackets)

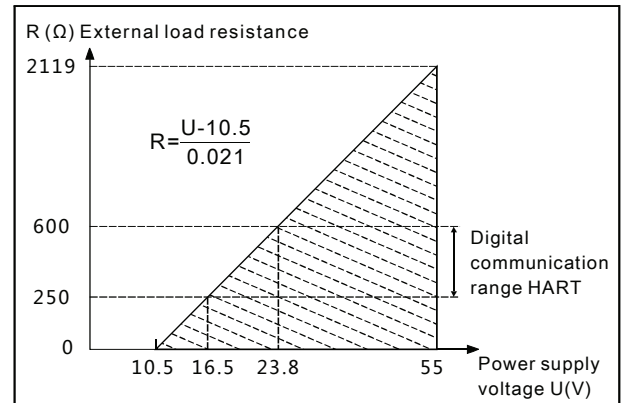
Environment condition

Items	Operation condition
Working temperature	-40-85°C, integrated LCD display: -20-70°C
Storage temperature	-40-110°C, integrated LCD display: -40-85°C
Media temperature	Hygienic fluid filling, Neobee M-20: -10-125°C Silicon oil filling: -40-120°C,
Working humidity	5-100%RH@40°C
Protection class	IP67
Dangerous condition	ExialICT4(GYB16.1965X)**
*Please consult engineers for details	

Power supply

Items	Operating conditions
Standard	10.5-55VDC
HART protocol	16.5-55VDC, communication load resistance 250Ω
Load resistance	0-2119Ω for working condition, 250-600Ω for HART protocol
Transmission distance	<1000 meters
Power consumption	$\leq 500mW@24VDC$, 20.8mA

Power supply and load requirements



Hygienisk Tryckgivare SMP858-TSF-PlugIn

www.processcenter.se

Technical specifications

EMC environment

NO.	Test items	Basic standards	Test conditions	Performance level
1	Radiated interference	GB/T 9254/CISPR22	30MHz-1000MHz	OK
2	Conducted interference (DC power port)	GB/T 9254/CISPR22	0.15MHz-30MHz	OK
3	Electrostatic discharge immunity test (ESD)	GB/T 17626.2/IEC61000-4-2	4kV(Contact), 8kV(Air)	B(Note2)
4	Immunity to radio frequency EM-fields	GB/T 17626.3/IEC61000-4-3	10V/m(80MHz-1GHz)	A(Note1)
5	Power frequency magnetic field Immunity test	GB/T 17626.8/IEC61000-4-8	30A/m	A(Note1)
6	Electrical fast transient / Burst Immunity Test	GB/T 17626.4/IEC61000-4-4	2kV(5/50ns, 100kHz)	B(Note2)
7	Surge immunity requirements	GB/T 17626.5/IEC61000-4-5	1kV(Line to line) 2kV(Line to ground) (1.2us/50us)	B(Note2)
8	Immunity to conducted disturbances induced by radio frequency fields	GB/T 17626.6/IEC61000-4-6	3V(150kHz-80MHz)	A(Note1)

(Note 1) Performance level A: The performance within the limits of normal technical specifications.

(Note 2) Performance level B: Temporary reduction or loss of functionality or performance, it can restore itself. The actual operating conditions, storage and data will not be changed.

Hygienisk Tryckgivare SMP858-TSF-PlugIn

www.processcenter.se

Menu function

Transmission module type

Output signal	Local control	Remote control
4-20mA+HART	LCD/3 buttons on body	HART
4-20mA	LCD/3 buttons on body	-

LCD display unit

Display mode	Details
PV	Process variable shows on main screen, percentage and progress bar shows on secondary screen
mA	Current shows on main screen, percentage and progress bar shows on secondary screen
%	Percentage shows on main screen, percentage and progress bar shows on secondary screen

Unit

Unit	Definition
kPa	Kilopascal
MPa	Megapascals
bar	Bar
psi	Pounds per square inch
mmHg	Millimetre(s) of mercury@0°C
mmH2O	Millimeter of water@4°C
mH2O	Meter of water@4°C
inH2O	Inches of water@4°C
ftH2O	Feet of water@4°C
inHg	Inches of mercury@0°C
mHg	Meter mercury column@0°C
TORR	Torr
mbar	Millibar
g/cm2	Gram per square centimeter
kg/cm2	Kilogram per square centimeter
Pa	PA
ATM	Standard atmospheric pressure
mm	Millimeter(Note1)
m	Meter(Note1)

Note 1: length unit need mark medium density

Measuring menu set

Mark	State
URV	Upper range value, 20mA
LRV	Lower range value, 4mA

Damping time

Units	Setting range
S	0-100

Analog output type

Parameters	Output type
mA LINER	Linearity
mA $\sqrt{\quad}$	Square root

Alarm signal

Parameters	Alarm signal
ALARM NO	None
ALARM H	20.8mA
ALARM L	3.8mA

Fix output

Parameters	Fix output value
FIX/C NO	None
3.8000	3.8000mA
4.0000	4.0000mA
8.0000	8.0000mA
12.000	12.000mA
16.000	16.000mA
20.000	20.000mA
20.800	20.800mA

Quick menu

Parameter	Instruction
PV=0	Set current output to zero value, used to correct the error caused by static pressure and installation.
Zero adjustment	4mA re-range with pressure
Span adjustment	20mA re-range with pressure
Restore factory setting	Restore backup data when error

Hygienisk Tryckgivare SMP858-TSF-PlugIn

www.processcenter.se

Product selection instruction

Sensor select instruction

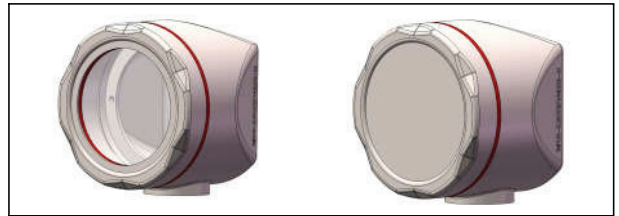
Code	Nominal value	Description
S602G	6kPa	Range 0kPa-6kPa, smallest calibratable span 3kPa
S403G	40kPa	Range 0kPa-40kPa, smallest calibratable span 6kPa

Code	Position	Instruction
F	Sensor seal	Stainless steel welding seal

Electrical connection

Code	Item	Description
F1	Electrical connection	Stainless steel terminal, aviation plug M12*1 (4 pin) (H2), IP67, vertical mounting
F2		Stainless steel terminal, aviation plug M12*1 (4 pin) (H2), IP67, horizontal mounting

Housing(F1)



Housing(F2)

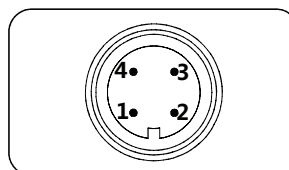


Aviation plug, M12*1, 4 pin(H2)



Electical connection

Aviation plug, M12*1, 4 pin(H2)



Label	Two wires
1	Power+
2	
3	
4	Power-

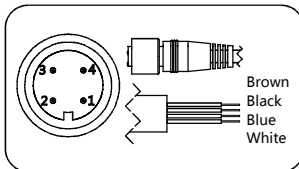
Hygienisk Tryckgivare SMP858-TSF-PlugIn

www.processcenter.se

Product selection instruction

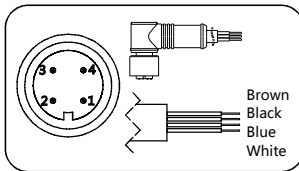
Electrical connection accessories

Aviation plug straighter(J1)



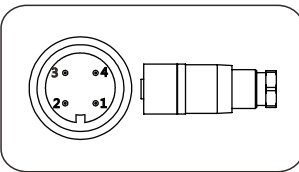
Label	Two wires
1/Brown	Power+
2/White	
3/Blue	
4/Black	Power-

Aviation plug elbow(J2)



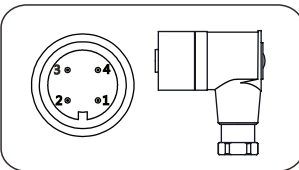
Label	Two wires
1/Brown	Power+
2/White	
3/Blue	
4/Black	Power-

Aviation plug straighter(J4)



Label	Two wires
1	Power+
2	
3	
4	Power -

Aviation plug elbow(J5)



Label	Two wires
1	Power+
2	
3	
4	Power -

Transmission module

Code	Items	Description
F	Output signal	4-20mA two wire, power supply: 10.5-55VDC
H		4-20mA+HART two wire, power supply: 16.5-55VDC
A	Display	Without display
C		With LCD display

Display module(C)



Process connection select instruction

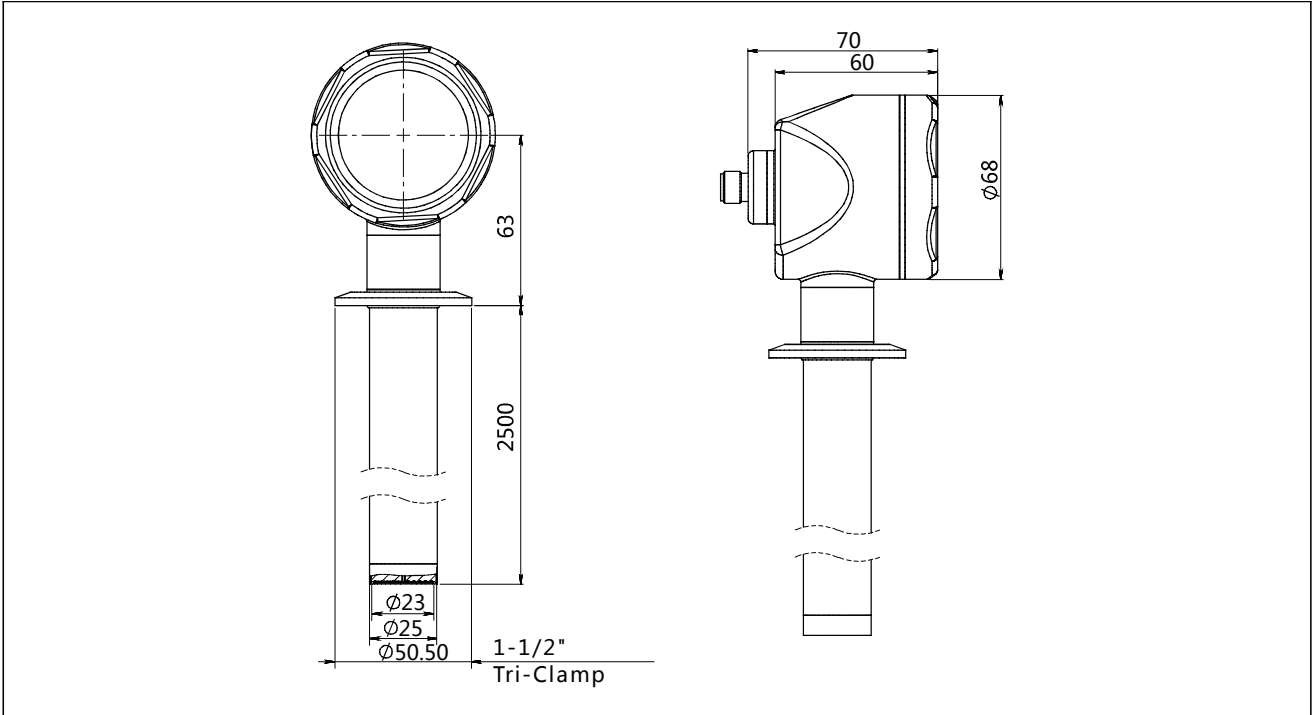
Code	Items	Description
4	Process connector material	Stainless steel, SUS304
6		Stainless steel, SUS316
NT	Connection type	Standard connection, medium temperature: -25-85°C
F	Isolated filling fluid	Hygienic fluid filling, Neobee M-20, process temperature: -10-180°C
S		Silicon oil filling, process temperature: -45-205°C
S	Isolated diaphragm material	Stainless steel, SUS316L
H		Hastelloy C
K01	Process connection specifications	Tri-Clamp 1-1/2"
K02		Tri-Clamp 2"
K03		DIN32676DN32
K04		DIN32676DN40
K05		DIN32676DN50
K06		ISO2852DN38
K07		ISO2852DN40
K08		ISO2852DN51
D1	Probe outer diameter	Diameter: 25mm, probe material is same as process connection material
LXXXX	Insertion length	Customized insertion length: 300mm <LXXXX<2500mm, samples: 300mm=L0300, 2000mm=L2000

Hygienisk Tryckgivare SMP858-TSF-PlugIn

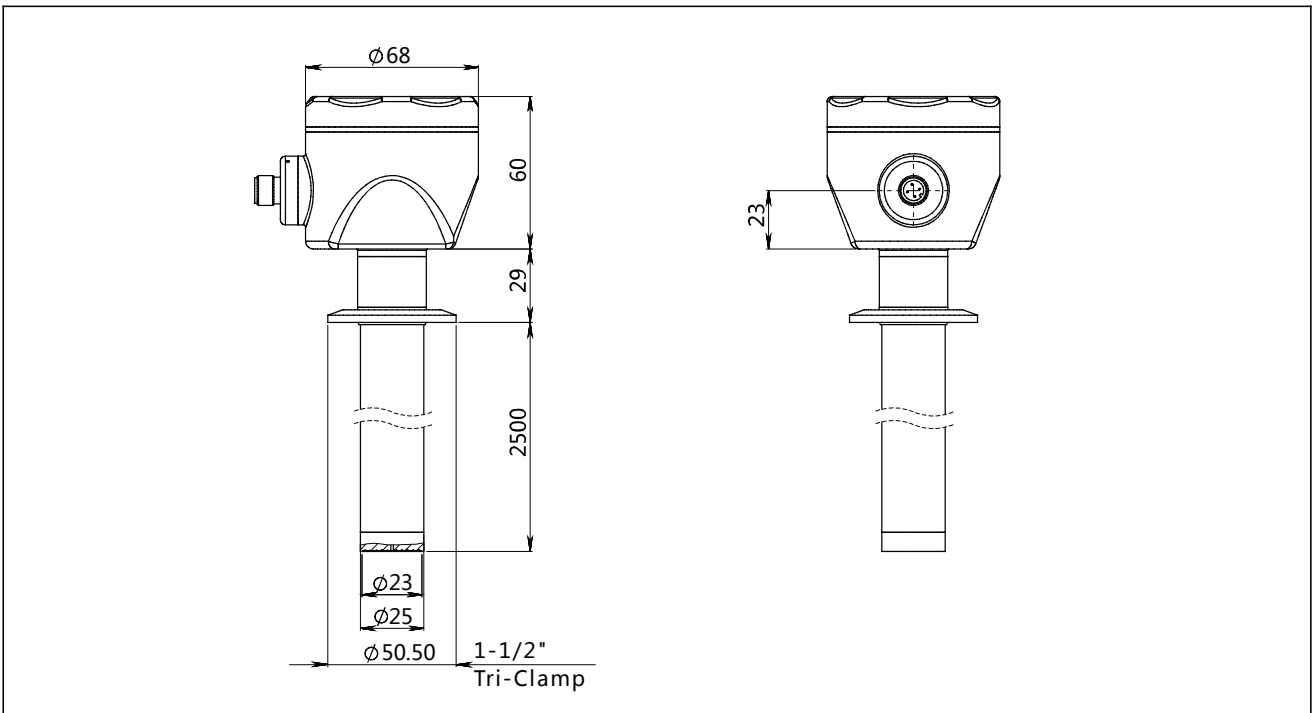
www.processcenter.se

Product drawing and dimension

Drawing and dimension with display (C) / without display (A) vertical installation (F1) (unit:mm)



Drawing and dimension with display (C) / without display (A) horizontal installation (F2) (unit:mm)



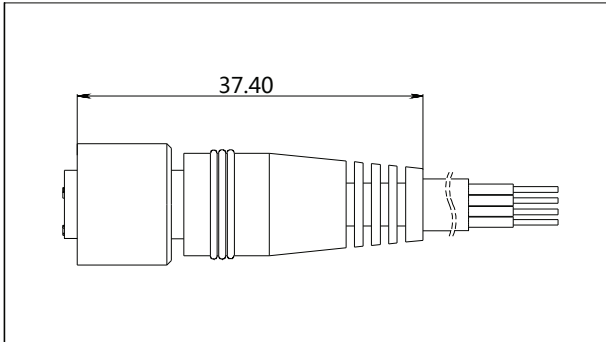


Hygienisk Tryckgivare SMP858-TSF-PlugIn

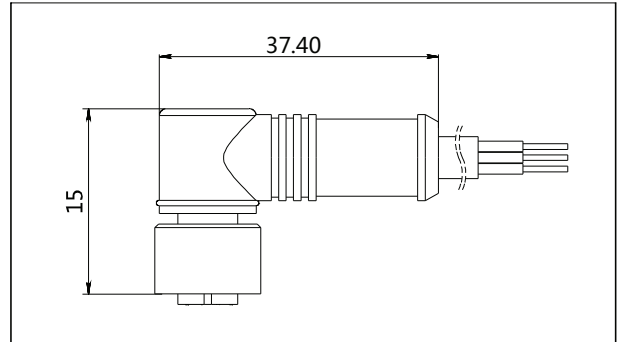
www.processcenter.se

Product drawing and dimension

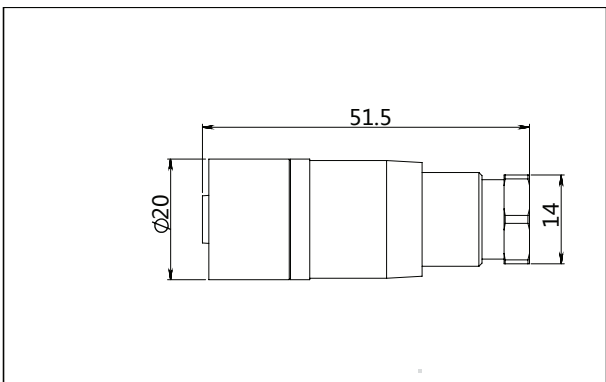
Aviation female plug straighter(J1) (unit: mm)



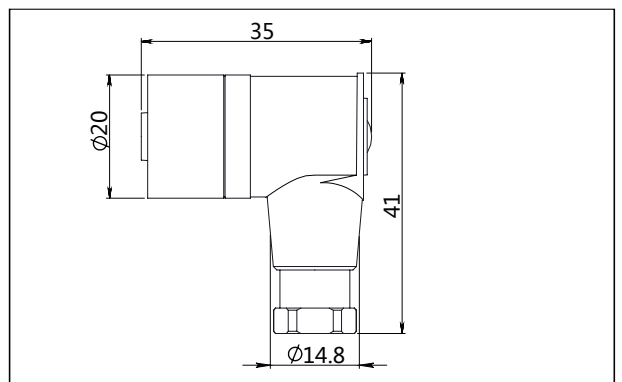
Aviation female plug elbow(J2) (unit: mm)



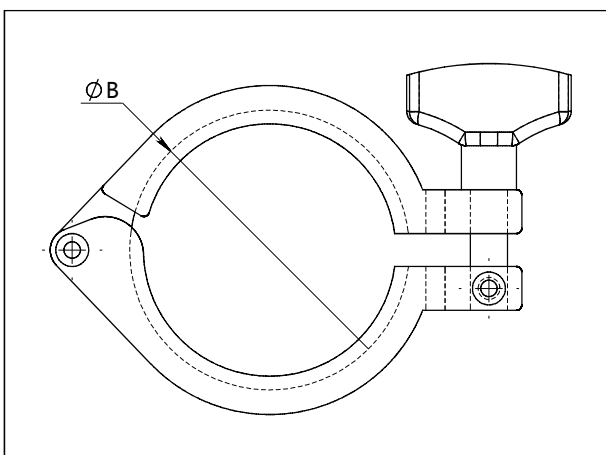
Aviation female plug straighter(J4) (unit: mm)



Aviation female plug elbow(J5) (unit: mm)

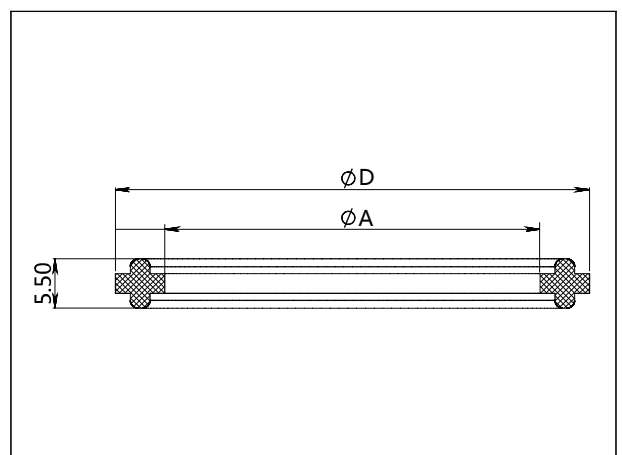


Tri-Clamp(G1-G2) (unit: mm)



Standard	Specification	Size(ΦB)
Tri-Clamp	1-1/2"	53.9
Tri-Clamp	2"	67.4

Sealing gasket(M1-M2)(unit:mm)



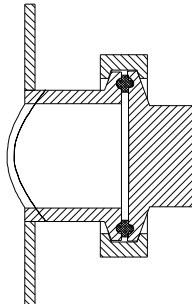
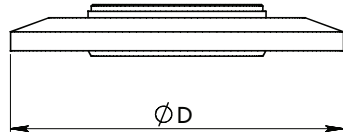
Standard	Specification	Size(ΦD)	Size(ΦA)
Tri-Clamp	1-1/2"	50.5	35
Tri-Clamp	2"	64	47.8

Hygienisk Tryckgivare SMP858-TSF-PlugIn

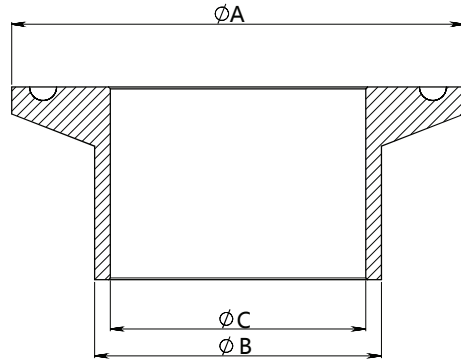
www.processcenter.se

Product drawing and dimension

Process connection (K01-K08)(unit: mm)

Installation Sketches		Dimension
		
Standard	Specification	Size(ΦD)
Tri-Clamp	1-1/2"	50.5
Tri-Clamp	2"	64
DIN32676	DN32	50.5
DIN32676	DN40	50.5
DIN32676	DN50	64
ISO2852	DN38	50.5
ISO2852	DN40	64
ISO2852	DN51	64

Welding adapter (Z1-Z1)(unit: mm)

				
Standard	Specification	Size(ΦA)	Size(ΦB)	Size(ΦC)
Tri-Clamp	1-1/2"	50.5	38	35.6
Tri-Clamp	2"	64	51	48.6

Hygienisk Tryckgivare SMP858-TSF-PlugIn

www.processcenter.se

Ordering information chapter

Item	Parameters	Code	Instruction	(*)Fast delivery available
	Model	SMP858-TSF	Monosilicon gauge pressure transmitter	
Sensor	Separator	-	Detailed specifications as following	
	Pressure range code	S602G	Nominal value(URL): 6kPa	
		S403G	Nominal value(URL): 40kPa	
	Sensor seal	F	Stainless steel welding seal	
Electrical connection	Separator	-	Detailed specifications as following	
	Electrical connection	F1	Stainless steel terminal, aviation plug M12*1 (4 pin) (H2), IP67, vertical mounting	*
		F2	Stainless steel terminal, aviation plug M12*1 (4 pin) (H2), IP67, horizontal mounting	*
	Cable entry protector	R0	None	
Output	Separator	-	Detailed specifications as following	
	Output signal	F	4-20mA two wire, power supply: 10.5-55VDC	*
		H	4-20mA+HART two wire, power supply: 16.5-55VDC	*
	Display	C	LCD display	*
		A	Without LCD display	
Process connection	Separator	-	Detailed specifications as following	
	Process connector material	4	Stainless steel SUS304	*
		6	Stainless steel SUS316	
	Connection type	NT	Standard connection, suitable for medium temperature -25-85°C	*
	Isolated filling fluid	F	Hygienic fluid filling, Neobee M-20, process temperature: -10-180°C (Approved by FDA)	*
		S	Silicon oil, process temperature: -45-205°C	*
	Isolated diaphragm material	S	Stainless steel SUS316L	*
		H	Hastelloy C	
	Process connection specifications (Note 1)	K01	Tri-Clamp 1-1/2", max measuring range: 2MPa	*
		K02	Tri-Clamp 2", max measuring range: 2MPa	*
		K03	DIN32676 DN32, max measuring range: 1.6MPa	
		K04	DIN32676 DN40, max measuring range: 1.6MPa	
		K05	DIN32676 DN50, max measuring range: 1.6MPa	
		K06	ISO2852 DN38, max measuring range: 4MPa	
		K07	ISO2852 DN40, max measuring range: 4MPa	
		K08	ISO2852 DN51, max measuring range: 2.5MPa	
Probe	Separator	-	Detailed specifications as following	
	Probe outer diameter	D1	Diameter: 25mm, probe material is same as process connection material	
	Insertion length	LXXXX	Customized insertion length: 300mm<LXXXX<2500mm, samples: 300mm=L0300, 2000mm=L2000	

Hygienisk Tryckgivare SMP858-TSF-PlugIn

www.processcenter.se

Ordering information chapter

Additional options	Separator	-	Detailed specifications as following		
	Electrical connection accessory	/J1	Aviation female plug (straighter) with 2m cable, 4 pin, M12*1, IP67		
		/J2	Aviation female plug (elbow) with 2m cable, 4 pin, M12*1, IP67		
		/J4	Aviation female plug (straighter) without cable, 4 pin, M12*1, IP67	*	
		/J5	Aviation female plug (elbow) without cable, 4 pin, M12*1, IP67		
	Process connection accessory	/G1	1.5" Tri-clamp		*
		/G2	2" Tri-clamp		
		/M1	1.5" sealing gasket, material: silicon rubber, process temperature range: -60-200°C (Approved by FDA)		*
		/M2	2" sealing gasket, material: silicon rubber, process temperature range: -60-200°C (Approved by FDA)		
		/Z1	Welding adapter for 1-1/2" tri-clamp (Accord with regulation 74-06 of 3A certificate)		*
		/Z2	Welding adapter for 2" tri-clamp (Accord with regulation 74-06 of 3A certificate)		
	Calibration report	/Q1	Calibration report provided by our company		*
	Approvals (multiple)	/I1	Intrinsic safety certificate, ExialICT4, NEPSI (Please consult engineers for details)		
		/F3	CE certificate (Please consult engineers for details)		
		/H1	3-A certificate (Please consult engineers for details)		*
	Wetted parts treatment	/G1	Ungrease treatment		
		/G2	Electropolishing treatment		
Note1: The process connections accord with regulation 74-06 of 3A certificate					

Hygienisk Tryckgivare SMP858-TSF-PlugIn

www.processcenter.se

Factory settings and parameters

Item	Menu mark	Factory setting value
Tag position	None	0(No specific settings)
Analog output type	mA	Liner
Display mode	DISP	PV
Alarm signal	ALARM	No

Item	Menu mark	Factory setting value
Damping value	DAMP	0(No specific settings)
4mA Lower range value	LRV	According to the order
20mA Upper range value	URV	According to the order
Process unit	U	According to the order

Approvals

Factory certificate

Certification organization	Intertek
Quality management system	ISO9001-2008
Scope of certification	Design and production of pressure transmitter
Registration number	110804039

CE

Certificate organization	ISET
License scope	SMP858 series pressure transmitter
Mark	CE
EMC instruction	2014/30/EU
Standard	EN61326-1: 2013
Registration number	IT051353LG161207

Intrinsic safety certificate

Certification organization name	NEPSI
Licenses range	SMP858 series pressure transmitter
Explosion-proof mark	ExiallCT4
Ambient temperature	-40-+60°C
Medium maximum temperature	+120°C
Registration number	GYB16.1965X
Intrinsically safe parameter description	Maximum input voltage: 28VDC
	Maximum input current: 100mA
	Maximum input power: 0.7w
	Maximum internal equivalent parametersCi(uF): 0
	Maximum internal equivalent parametersLi(mH): 0.01